

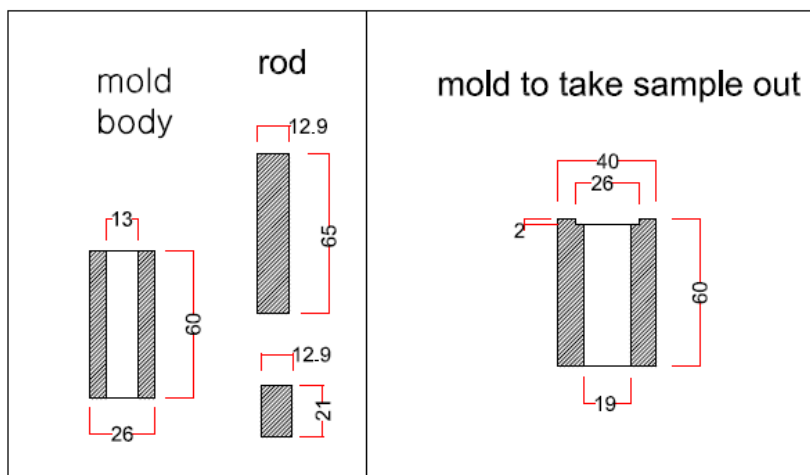
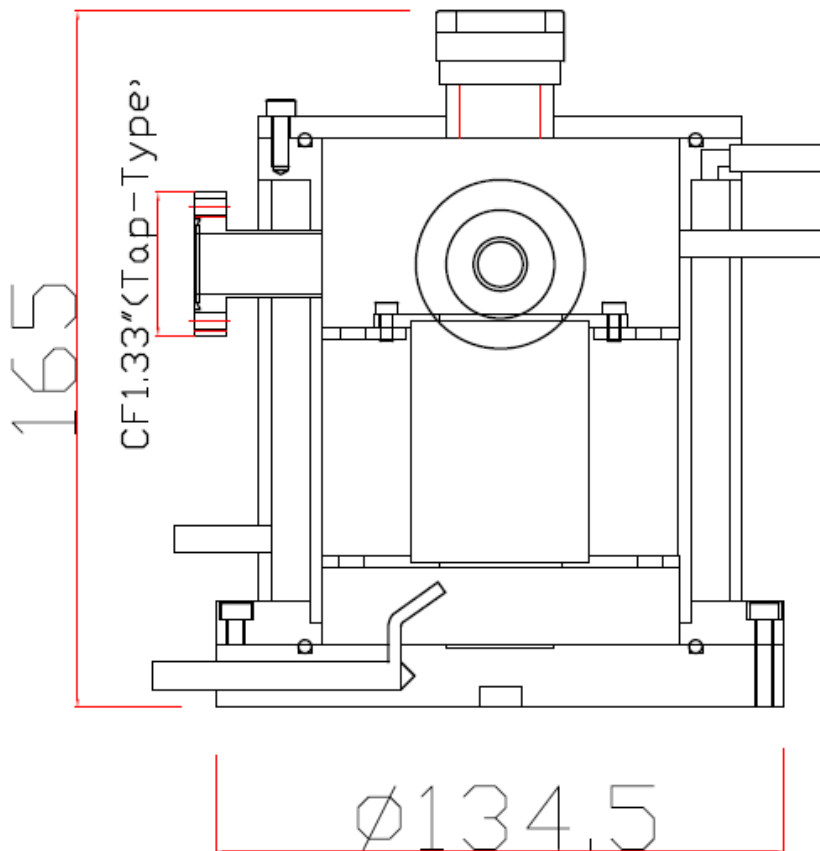
# Mini Hot Press

- Operating temperature : 30~900 °C (depending on environment)
- Heating element : Ta, Kanthal wire
- Heater shape : cylinder
- Designed for hot press
- Working in in low, high, or ultra high vacuum or gas environment
- Water-cooling shroud installed
- Rapid cooling function by flowing inert gas
- Dimension : main chamber 135 mm in diameter x165 mm in height
- Internal diameter of mold : 13 mm (Other size is available on request.)
- Can be also used for annealing purposes in low, high, or ultra high vacuum or gas environment



# Mini Hot Press

## Dimension



unit: mm

# Mini Hot Press

## Power Controller

- Power supply : AC SCR Unit
- Temperature Controller : Shinko (Model: PCD-33A)
- PID control
- Temperature stability :  $< \pm 1 \text{ }^\circ\text{C}$
- Input voltage : 220 V

